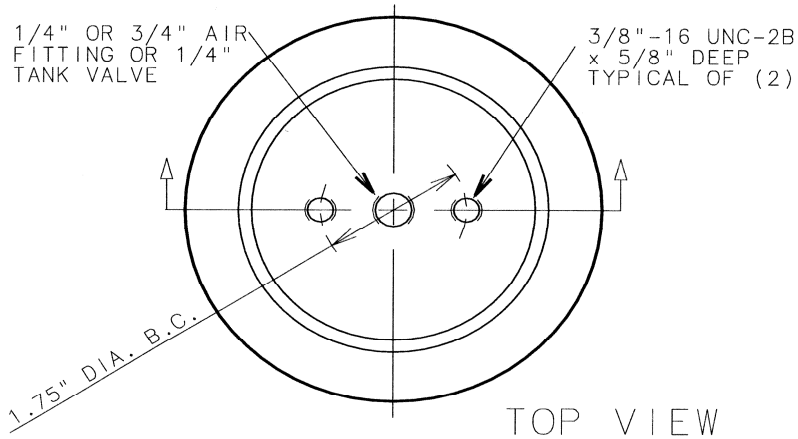
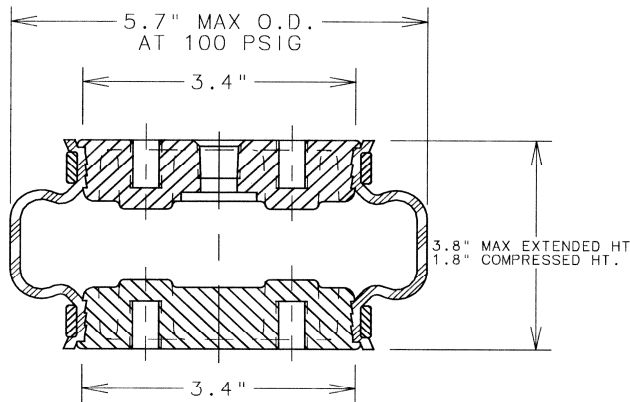




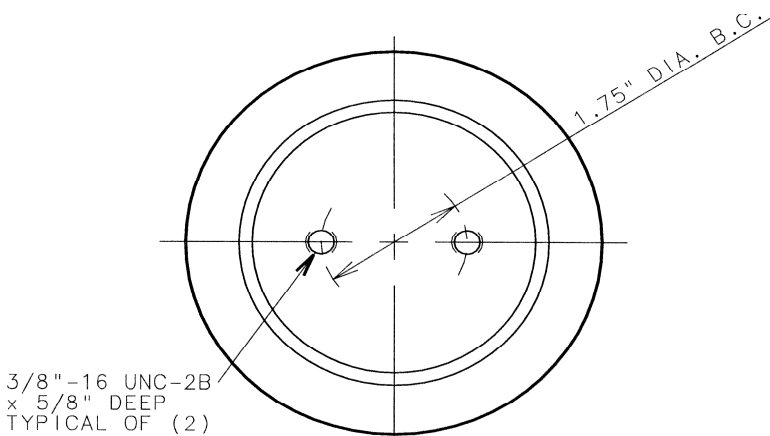
# 1B5-500



TOP VIEW



SIDE VIEW



BOTTOM VIEW

ASSEMBLY NUMBER	ELASTOMER	AIR FITTING	BUMPER INCLUDED
1B5-500	WINGPRENE®	1/4"-18 NPTF	NO
1B5-502	WINGPRENE®	3/4"-14 NPTF	NO
1B5-503	WINGPRENE®	1/4"-18 NPTF W/TANK VALVE INSTALLED	NO

**SPRING FEATURES:**

- LOAD RANGE (ISOLATOR).....210-1350 lb
- DESIGN HEIGHT RANGE (ISOLATOR).....2.5-3.0 in
- USEABLE STROKE (ACTUATOR).....2.0 in
- ASSEMBLY WEIGHT.....1.1 lb
- FORCE TO COMPRESS AT 0 PSIG (APPROX.).....9 lb
- NOMINAL FREE STANDING HT. AT 0 PSIG.....2.5 in

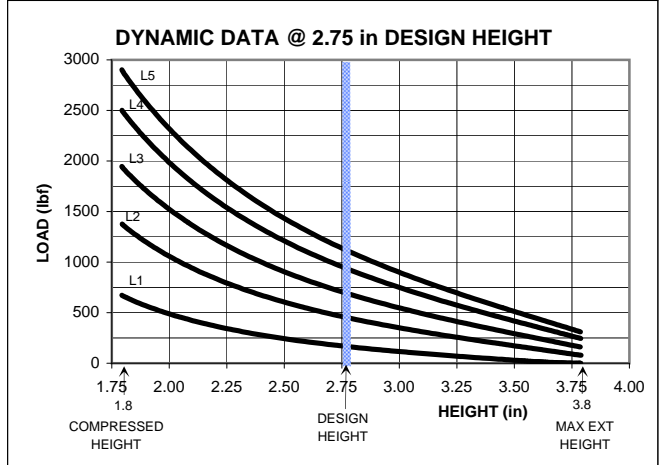
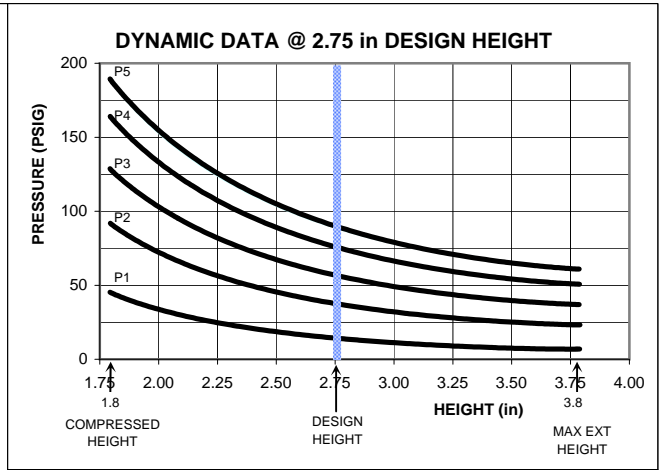
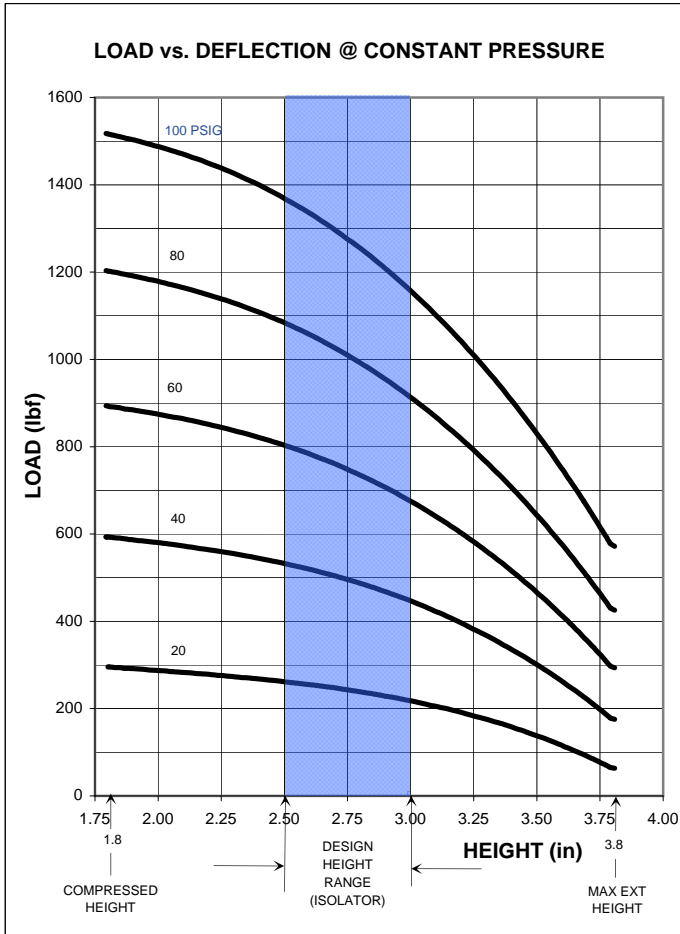
**OTHER OPTIONS:**

- SHOULDER STUD 3/8"-16 UNC-3A x 9/16" BY 1/2"-13 UNC-3A x 2-1/2" (578-92-9-056)

**RECOMMENDED MAX. TORQUE VALUES**

3/8"-16 UNC BLIND TAP TYP. OF (4)	1/4"-18 UNC AIR FITTING	3/4"-14 UNC AIR FITTING
240 in-lb 20 ft-lb	240 in-lb 20 ft-lb	240 in-lb 20 ft-lb

NOTE: SEE GUIDELINES FOR PROPER APPLICATION OF THIS PRODUCT



**\*\*NOTE: MAXIMUM INFLATION PRESSURE IS 100 PSIG. MAXIMUM JOUNCE PRESSURE IS 200 PSIG. IF YOUR APPLICATION WILL EXCEED THESE LIMITS, CONSULT A GOODYEAR ENGINEERED PRODUCTS AIR SPRINGS REPRESENTATIVE FOR APPLICATION ASSISTANCE.**

### CONSTANT PRESSURE CHARACTERISTICS

Assembly Height (in)	Volume @ 100 PSIG (in <sup>3</sup> )	Nominal Force (lb)				
		@ 20 PSIG	@ 40 PSIG	@ 60 PSIG	@ 80 PSIG	@ 100 PSIG
		3.8	51	60	170	280
3.5	48	130	280	440	620	800
3.0	41	210	420	660	850	1100
2.75	37	240	480	700	1000	1250
2.5	33	260	520	800	1050	1350
2.0	26	280	560	850	1150	1450
1.8	24	280	580	900	1200	1500

### DYNAMIC CHARACTERISTICS

Design Height (in)	Load (lb)	Pressure (PSIG)	Spring Rate (lb/in)	Natural Frequency	
				cpm	Hz
3.0	200	18	275	223	3.72
	500	44	545	195	3.25
	750	64	750	188	3.13
	950	86	970	184	3.07
2.75	1150	100	1130	182	3.03
	200	16	275	220	3.67
	500	41	535	193	3.22
	750	60	745	186	3.10
	950	80	950	182	3.03
2.5	1150	94	1095	180	3.00
	200	15	295	228	3.80
	500	37	550	198	3.30
	750	55	765	190	3.17
	950	74	975	185	3.08
1150	89	1140	182	3.03	

The GOODYEAR (and Winged Foot Design) trademark is used by Veyance Technologies, Inc. under license from The Goodyear Tire & Rubber Company. Goodyear Engineered Products are manufactured and sourced exclusively by Veyance Technologies, Inc. or its affiliates. The following trademarks are licensed to Veyance Technologies, Inc. by The Goodyear Tire & Rubber Company, including Compass, Eagle Pd, Flexten, Gatorback and GY Metric. ©2008 Veyance Technologies, Inc. All Rights Reserved.